



Signal beacon

PF-IS-BM-*

- ATEX, IECEx and UKEX approval
- For use in Zone 0, 1, 2, 20, 21, 22 and mining applications
- Flashing or steady state options
- Recommended for fire, security and process control applications
- Degree of protection: IP 66
- Diode polarized and end of line resistor compatible

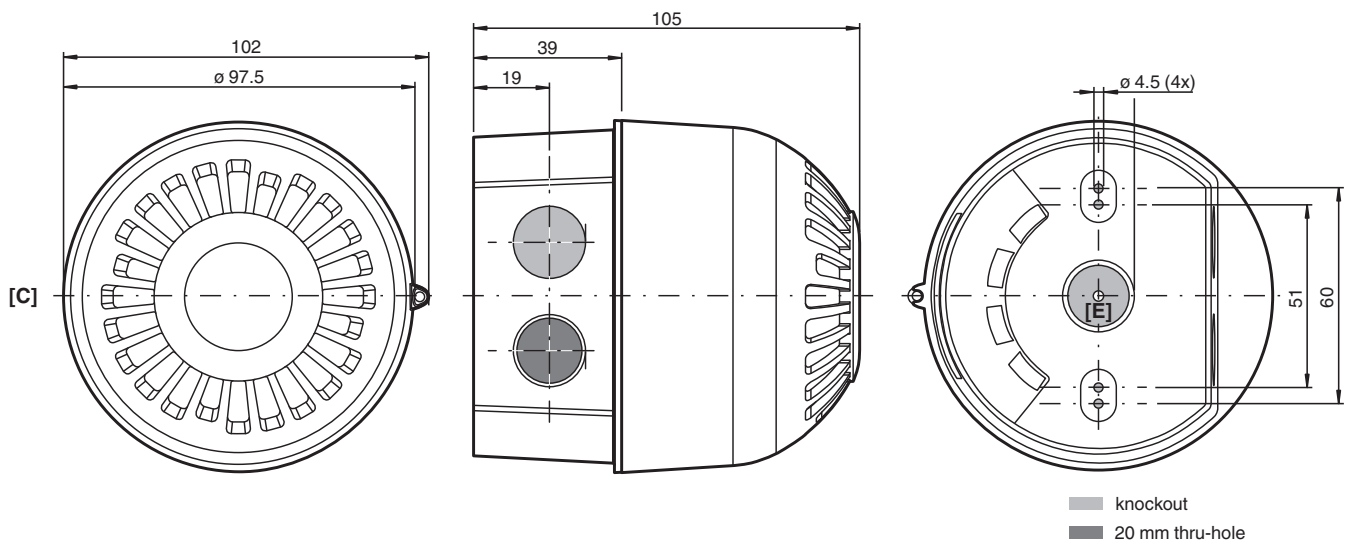
Multi-purpose LED signal beacon, flashing or steady-state, type of protection Ex ia IIC



Function

The PF-IS-BM-* is a compact, intrinsically safe signal beacon with an array of 9 high intensity LEDs behind five different colored lens options. The versatile device can be used in above ground Group II applications including Zone 0 & Zone 20 as well as Group I mining applications. With the wide temperature range of -40 °C to +60 °C added to the degree of protection of IP66, this powerful device is suitable for many potentially explosion-hazardous areas. Flexibility is also a feature of this device and various mounting holes together with up to three thru-holes ensure that mounting and cabling is quick and easy.

Dimensions



Real values might differ slightly due to manufacturing tolerances.

Technical Data

Electrical specifications	
Operating voltage	16 ... 28 V DC , via zener barrier or galvanic isolator
Operating current	15 mA @ 24 V DC max. - value measured with Zener barrier connected
Terminal capacity	0.5 ... 2.5 mm ²
Function	flashing signal beacon LED
Lens color	red , amber , green , blue or clear
Flash mode	1 Hz flash 60 FPM or steady light high power
Luminous intensity	Dependent on head selected
Effective luminous intensity, measured	4.22 cd max. value measured with Zener barrier connected

Release date: 2025-01-17 Date of issue: 2025-01-17 Filename: t221769_eng.pdf

Refer to "General Notes Relating to Pepperl+Fuchs Product Information".

Pepperl+Fuchs Group
www.pepperl-fuchs.com

USA: +1 330 486 0002
pa-info@us.pepperl-fuchs.com

Germany: +49 621 776 2222
pa-info@de.pepperl-fuchs.com

Singapore: +65 6779 9091
pa-info@sg.pepperl-fuchs.com

pf PEPPERL+FUCHS

Technical Data

Illuminant, type	array of 9x high-intensity LEDs	
Mechanical specifications		
Enclosure cover	fully detachable	
Cover fixing	Stainless steel screws	
Degree of protection	IP66	
Cable entry face C		
M20 quantity	1	
M20 type	thru-holes	
M20 info	without entry devices (ordered separately)	
Cable entry face E		
M20 quantity	1	
M20 type	knockout	
Material		
Enclosure	Polycarbonate UL94 V2	
Finish	RAL 3000 (red)	
Seal	nitrile O-ring	
Seal insert	Neoprene	
Mass	0.22 kg	
Grounding	Internal connection	
Ambient conditions		
Ambient temperature	-40 ... 60 °C (-40 ... 140 °F)	
Storage temperature	-40 ... 70 °C (-40 ... 158 °F)	
Data for application in connection with hazardous areas		
EU-type examination certificate	ERO 24 ATEX 0014X	
Marking	Ⓢ II 1 GD Ex ia IIC T5 Ga Ex ia IIIC T ₂₀₀ 85°C Da Ⓢ I M1 Ex ia I Ma	
Equipment		
Voltage	U _i	28 V max.
Current	I _i	93 mA max.
Power	P _i	660 mW max.
Internal capacitance	C _i	0 µF max.
Internal inductance	L _i	0 mH max.
International approvals		
IECEX approval	IECEX EMT 24.0011X	
UKCA approval	EMA 24 UKEX 0006X	
Further approvals	available on request	
Conformity		
Degree of protection	EN 60529	
CE marking	2829	
UKCA marking	2503	
General information		
Scope of delivery	device Instruction leaflet Gasket set Allen wrench anti-rotation grub screw	
Supplementary information	EC-Type Examination Certificate, Statement of Conformity, Declaration of Conformity, Attestation of Conformity and instructions have to be observed where applicable. For information see www.pepperl-fuchs.com .	
Accessories		
Optional accessories	CG.PIDS1.M20.* SP.PE.M20.*	