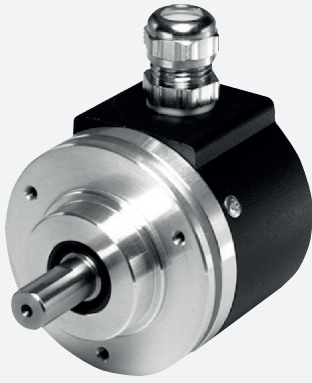


Incremental rotary encoder

10-****1

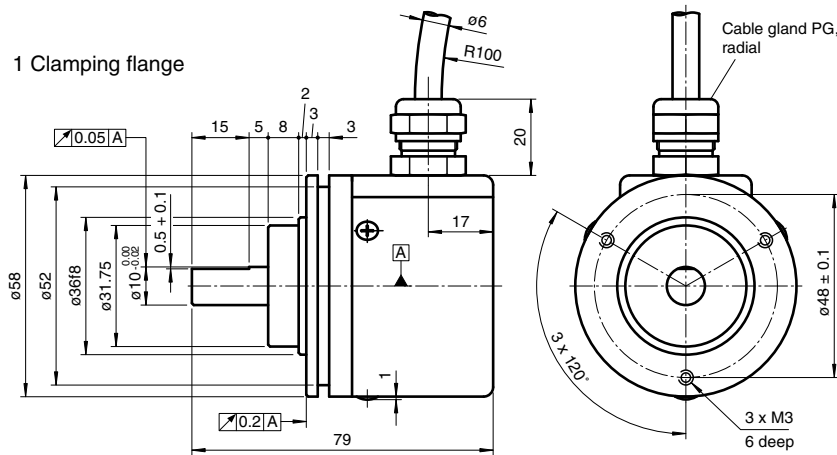


- Industrial standard housing Ø58 mm
- Up to 5000 ppr
- Servo flange, square flange or clamping flange
- Special flanges with special shafts on demand
- Stainless steel version
- 10 V ... 30 V with short-circuit proof push-pull output

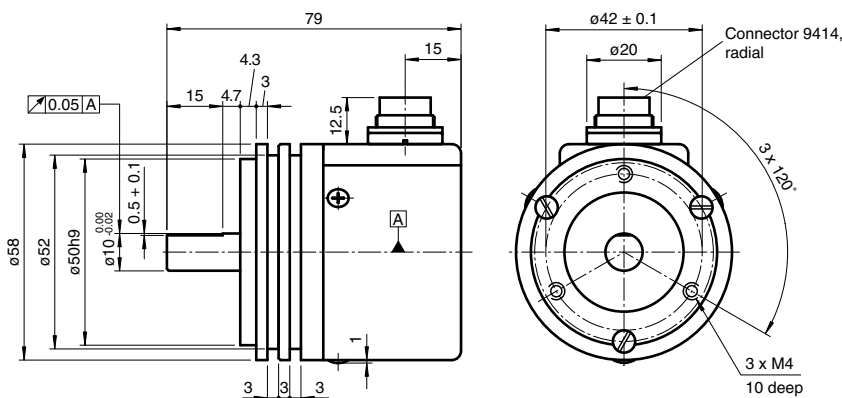


Dimensions

1 Clamping flange



3 Servo flange



Release date: 2022-12-12 Date of issue: 2022-12-12 Filename: t2365_eng.pdf

Refer to "General Notes Relating to Pepperl+Fuchs Product Information".

Pepperl+Fuchs Group
www.pepperl-fuchs.com

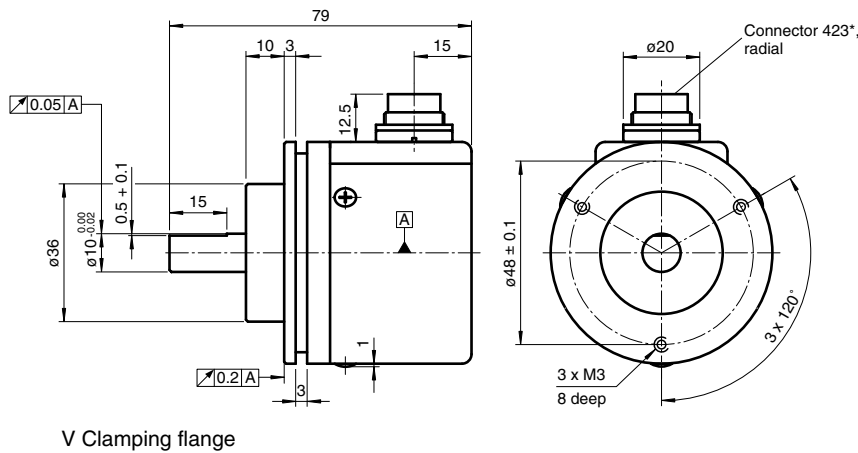
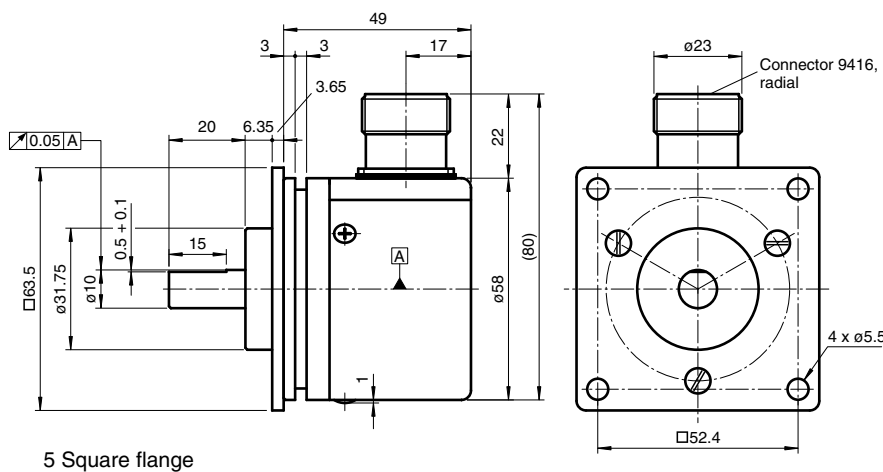
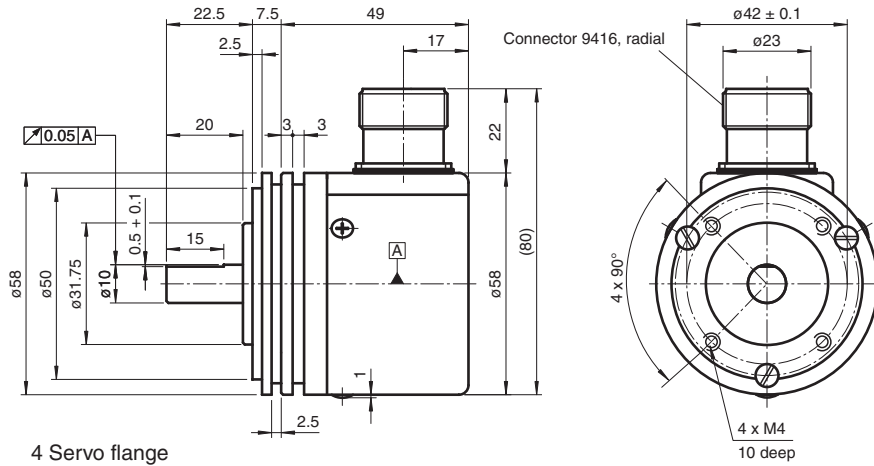
USA: +1 330 486 0001
fa-info@us.pepperl-fuchs.com

Germany: +49 621 776 1111
fa-info@de.pepperl-fuchs.com

Singapore: +65 6779 9091
fa-info@sg.pepperl-fuchs.com

PF PEPPERL+FUCHS

Dimensions



Technical Data

General specifications		
Pulse count		max. 5000
Electrical specifications		
Operating voltage	U_B	10 ... 30 V DC
No-load supply current	I_0	max. 80 mA
Output		
Output type		push-pull, incremental
Voltage drop	U_d	< 4 V






Release date: 2022-12-12 Date of issue: 2022-12-12 Filename: t2365_eng.pdf

Refer to "General Notes Relating to Pepperl+Fuchs Product Information".

Technical Data

Load current		max. per channel 40 mA , short-circuit protected, reverse polarity protected
Output frequency		max. 100 kHz
Rise time		250 ns
De-energized delay	t_{off}	250 ns
Connection		
Connector		type 42306 (M16), 6-pin type 42308 (M16), 8-pin type 9414 (M16), 5-pin type 9416 (M23), 12-pin
Cable		Ø6 mm, 4 x 2 x 0.14 mm ² , 2 m
Standard conformity		
Degree of protection		DIN EN 60529, IP65
Climatic testing		DIN EN 60068-2-3, no moisture condensation
Emitted interference		EN 61000-6-4:2007/A1:2011
Noise immunity		EN 61000-6-2:2005
Approvals and certificates		
UL approval		cULus Listed, General Purpose, Class 2 Power Source
Ambient conditions		
Operating temperature		
Glass disk		-20 ... 70 °C (-4 ... 158 °F)
Plastic disk		-20 ... 60 °C (-4 ... 140 °F)
Storage temperature		
Glass disk		-40 ... 70 °C (-40 ... 158 °F)
Plastic disk		-40 ... 60 °C (-40 ... 140 °F)
Mechanical specifications		
Material		
Combination 1		housing: diecast zinc flange: aluminum 3.1645 shaft: stainless steel 1.4305 / AISI 303
Combination 2 (Inox)		housing: stainless steel flange: stainless steel shaft: stainless steel
Mass		approx. 335 g (combination 1) approx. 1400 g (combination 2)
Rotational speed		max. 10000 min ⁻¹
Moment of inertia		≤ 30 gcm ²
Starting torque		≤ 1.5 Ncm
Shaft load		
Axial		60 N
Radial		80 N

Accessories

	9101, 10	Measuring wheel for shaft diameter 10 mm
	9102, 10	Measuring wheel for shaft diameter 10 mm
	9103, 10	Measuring wheel for shaft diameter 10 mm
	9112, 10	Measuring wheel for shaft diameter 10 mm
	9108, 10	Measuring wheel for shaft diameter 10 mm












Release date: 2022-12-12 Date of issue: 2022-12-12 Filename: t2365_eng.pdf

Refer to "General Notes Relating to Pepperl+Fuchs Product Information".

Pepperl+Fuchs Group
www.pepperl-fuchs.comUSA: +1 330 486 0001
fa-info@us.pepperl-fuchs.comGermany: +49 621 776 1111
fa-info@de.pepperl-fuchs.comSingapore: +65 6779 9091
fa-info@sg.pepperl-fuchs.com

PEPPERL+FUCHS

Accessories

	9109, 10	Measuring wheel for shaft diameter 10 mm
	9110, 10	Measuring wheel for shaft diameter 10 mm
	9113, 10	Measuring wheel for shaft diameter 10 mm
	9203	Angled flange
	9300	Mounting bracket for servo flange
	9414A	Female cordset
	9414B	Female cordset
	42306A	Female connector, field-attachable
	42306B	Female cordset
	42308A	Female cordset
	42308B	Female connector, field-attachable

Function

Practical applications have shown again and again that standards are useful and beneficial. There are always applications, however, in which the desired result cannot be obtained with a standard incremental rotary encoder.

Even the mechanical interface varies quite often in accordance with the overall conditions of the application, as is shown by an example: If you intend to use the incremental rotary encoder with a measurement wheel, we recommend a shaft diameter of 10 mm. Standardisation prescribes a clamping flange in this case. This will be useful in most cases, but not in all.

Series 10 allows you to create individual combinations of specific features. In this way, the shaft with a diameter of 10 mm from the example can also be combined with a square flange.

Normally, the housing of an incremental rotary encoder is manufactured from an aluminium cold extrusion part. For series 10, the housing is produced from a zinc pressure diecast. This gives an extra level of sturdiness to the incremental rotary encoder. If a pressure diecast housing is not sufficient, the housing and flange can also be manufactured from stainless steel.

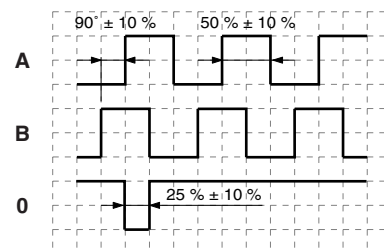
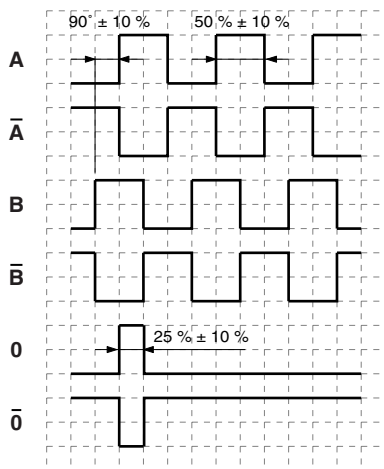
Up to a limit of 1500 pulses, the pulse disk is designed using plastic. In addition, pulse disks are also manufactured from glass. These properties make series 10 the most versatile of our incremental rotary encoders with a diameter of 58 mm.

Connection

Signal	Cable Ø6 mm, 8-core	Connector 9414, 5-pin	Connector 9416, 12-pin	Connector 42306, 6-pin	Connector 42308, 8-pin
GND	White	1	1	1	1
+U _b	Brown	2	2	2	2
A	Green	3	3	3	3
B	Grey	4	4	4	4
\bar{A}	Yellow	-	5	-	5
\bar{B}	Pink	-	6	-	6
0	Blue	5	7	5	7
$\bar{0}$	Red	-	8	-	8

Operation

Signal outputs



At the encoder version with output switching 1 and signal output 3 (see order code) the zero signal is inverted.

↺ cw - with view onto the shaft

Type Code

Release date: 2022-12-12 Date of issue: 2022-12-12 Filename: t2365_eng.pdf

Order code



Pulse count 60, 100, 120, 180, 200, 250, 256, 300, 314, 360, 400, 500, 512, 600, 720, 900, 1000, 1024, 1200, 1250, 1500, 1800, 2000, 2048, 2400, 2500, 3000, 3600, 4000, 4096, 5000

Further pulse counts on demand!

Exit position

- A** Axial*
- R** Radial

Housing material

- diecast zinc
- I** Inox*

Output switching

- 1** 10 V ... 30 V, push-pull
- 6** 5 V, RS 422
- X** 10 V ... 30 V, RS 422

Connection type

- 2** Plug connector type 9414, 5-pin
- 3** Cable Ø6 mm, 2 x 4 x 0,14 mm², 2 m
- 5** Plug connector type 9416, 12-pin
- C** Plug connector type 42306, 6-pin
- D** Plug connector type 42308, 8-pin

Signal output

- 3** A + B + 0
- 6** A + B + 0 and $\bar{A} + \bar{B} + \bar{0}$

Flange version (Special flanges on demand)

- 1** Clamping flange
- 3** Servo flange
- 4** Servo flange with additional centring collar
- 5** Square flange
- V** Clamping flange

Shaft dimension (Special shafts on demand)

- 1** Shaft Ø10 mm x 20 mm
- 2** Shaft Ø6 mm x 10 mm

*For housing material I only axial connector output A possible.

Release date: 2022-12-12 Date of issue: 2022-12-12 Filename: t2365_eng.pdf