



Control Unit

FD2-PCU300A-Ex.O**

- Compact design
- Easy installation
- Economical purging method
- High safety standard
- LCD indication of operating status
- Menu driven programming

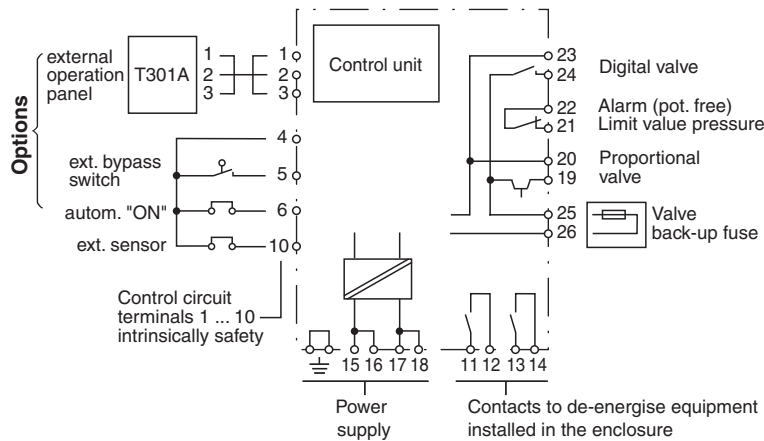
24 V DC



Function

The pressure control unit with integrated pressure switch monitor the purge-gas pressure and throughput. Operating modes and parameters can be programmed and called-up with 4 keys. They are displayed in an 8-character LC display. Optimum adaptation to the application is provided by the choice of orifice meters.

Connection



Release date: 2023-07-10 Date of issue: 2023-07-10 Filename: t25340_eng.pdf

Refer to "General Notes Relating to Pepperl+Fuchs Product Information".

Pepperl+Fuchs Group
www.pepperl-fuchs.com

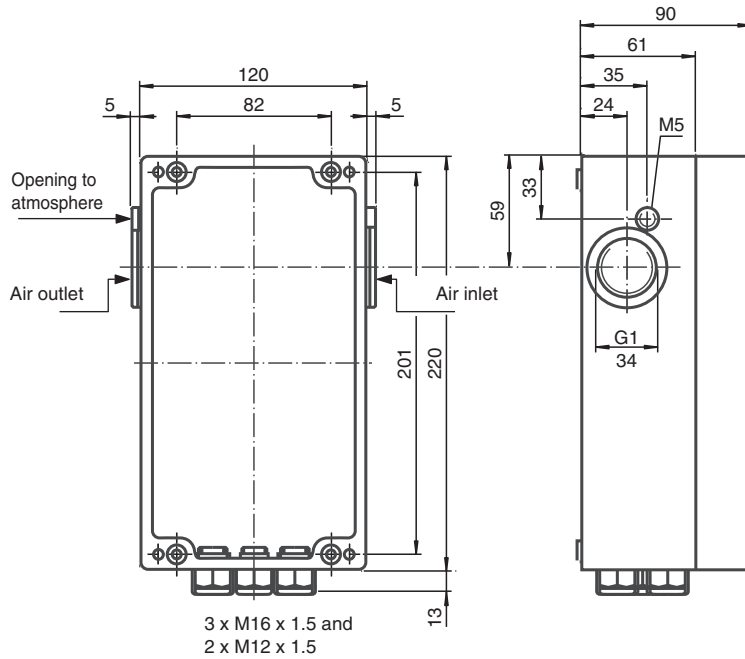
USA: +1 330 486 0002
pa-info@us.pepperl-fuchs.com

Germany: +49 621 776 2222
pa-info@de.pepperl-fuchs.com

Singapore: +65 6779 9091
pa-info@sg.pepperl-fuchs.com

PF PEPPERL+FUCHS

Dimensions



Technical Data

Supply		
Rated voltage	U_r	24 V DC
Power consumption		approx. 2.5 VA
Conformity		
Degree of protection		IEC 60529
Input characteristics		
Measurement range		pressure measurement range 0 ... 18 mbar volumetric flow measurement range depends on the orifice size
Operating conditions		
Installation conditions		inside or outside the enclosure Back-up fuse for solenoid valve in the control unit must be ordered separately (see selection table in datasheet PCU-F-Ex.****MA).
Ambient conditions		
Ambient temperature		-20 ... 45 °C (-4 ... 113 °F) at T6 -20 ... 60 °C (-4 ... 140 °F) at T4
Mechanical specifications		
Degree of protection		IP65 (without consideration of the air outlet opening)
Material		lacquer-coated aluminum
Dimensions		220 x 120 x 90 mm (8.7 x 4.7 x 3.5 inch)
Data for application in connection with hazardous areas		
EU-type examination certificate		DMT 00 ATEX E 004 X , for additional certificates see www.pepperl-fuchs.com
Marking		Ⓜ II 2G EEx em [ib] [p] IIC T6 (-20 °C ≤ T _{amb} ≤ 45 °C) Ⓜ II 2G EEx em [ib] [p] IIC T4 (-20 °C ≤ T _{amb} ≤ 60 °C) Ⓜ II 2D Ex tD [ibD] [pD] IP65 T70°C (-20 °C ≤ T _{amb} ≤ 60 °C)
Supply		
Maximum safe voltage	U_m	253 V (Attention! U_m is no rated voltage.)
Output		
Contact loading		250 V AC/5 A/cos φ > 0.7/30 V DC/5 A/150 W
Directive conformity		
Directive 94/9/EC		EN 50014, EN 50016, EN 50019, EN 50020, EN 50028, EN 954-1, IEC 61241-0, IEC 61241-1, IEC 61241-11

Release date: 2023-07-10 Date of issue: 2023-07-10 Filename: t25340_eng.pdf

Refer to "General Notes Relating to Pepperl+Fuchs Product Information".

 Pepperl+Fuchs Group
www.pepperl-fuchs.com

 USA: +1 330 486 0002
pa-info@us.pepperl-fuchs.com

 Germany: +49 621 776 2222
pa-info@de.pepperl-fuchs.com

 Singapore: +65 6779 9091
pa-info@sg.pepperl-fuchs.com

Technical Data

General information

Supplementary information

EC-Type Examination Certificate, Statement of Conformity, Declaration of Conformity, Attestation of Conformity and instructions have to be observed where applicable. For information see www.pepperl-fuchs.com.

Release date: 2023-07-10 Date of issue: 2023-07-10 Filename: t25340_eng.pdf

Refer to "General Notes Relating to Pepperl+Fuchs Product Information".

Pepperl+Fuchs Group
www.pepperl-fuchs.com

USA: +1 330 486 0002
pa-info@us.pepperl-fuchs.com

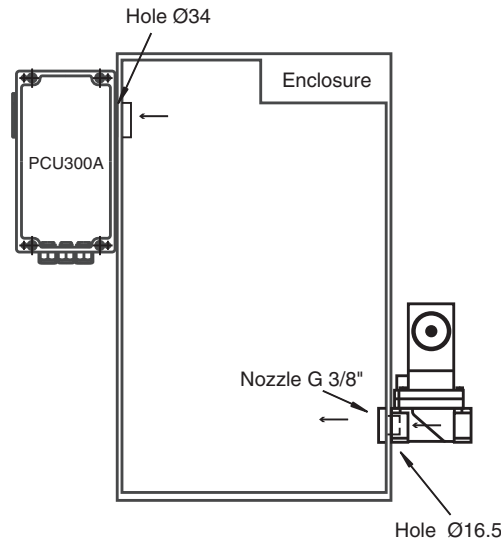
Germany: +49 621 776 2222
pa-info@de.pepperl-fuchs.com

Singapore: +65 6779 9091
pa-info@sg.pepperl-fuchs.com

Mounting

Mounting example

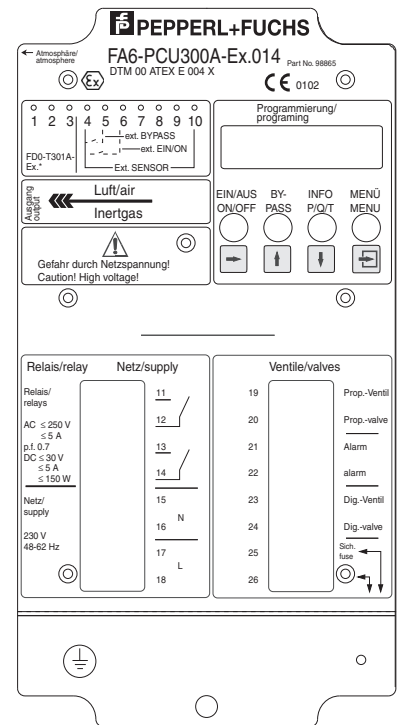
External mounting



Type Code

	Control unit	F * * PCU300A-Ex.O * *		
Operating voltage	230 V AC	A 6		
	115 V AC	A 5		
	24 V DC	D 2		
Orifice*	6 mm	6	0.15	Minimum flow (l/s)
	10 mm	10	0.35	
	14 mm (preferred type).....	14	0.85	
	18 mm	18	1.25	

*See the operating instruction for selection assistance.



Release date: 2023-07-10 Date of issue: 2023-07-10 Filename: t25340_eng.pdf