

Solenoid Valve

FU6-PV32*-Ex

- Minimal purging gas consumption
- High level of operating safety
- Low flow noise
- Defined overpressure during purging

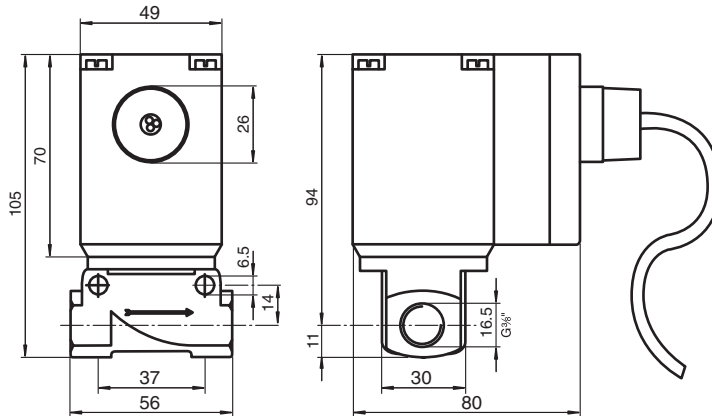
230 V AC



Function

The valve functions as an actuator for the pressurising system. It admits only sufficient purge gas to compensate for leakage losses from the housing. The defined pressure during purging ensures that pressure-sensitive components such as membrane keypads or viewing windows are not overloaded. The valve can be installed inside or outside the enclosure.

Dimensions



Technical Data

Supply	
Rated voltage	U_r 230 V AC
Operating conditions	
Process conditions	
Process pressure (static pressure)	F**-PV321-Ex: 0 ... 7 bar F**-PV322-Ex: 0 ... 3.5 bar
Mechanical specifications	
Degree of protection	IP65
Connection	cable, 3 m length
Dimensions	56 x 80 x 105 mm (2.2 x 3.1 x 4.1 inch)
Data for application in connection with hazardous areas	
EU-type examination certificate	PTB 00 ATEX 2202 X (Bürkert)
Marking	Ⓜ II 2G EEx m II T4 or T6 Ⓜ II 2G EEx em II T4 or T6
Directive conformity	
Directive 94/9/EC	EN 50014, EN 50019, EN 50028
General information	

Release date: 2023-07-10 Date of issue: 2023-07-10 Filename: t25343_eng.pdf

Refer to "General Notes Relating to Pepperl+Fuchs Product Information".

Pepperl+Fuchs Group
www.pepperl-fuchs.com

USA: +1 330 486 0002
pa-info@us.pepperl-fuchs.com

Germany: +49 621 776 2222
pa-info@de.pepperl-fuchs.com

Singapore: +65 6779 9091
pa-info@sg.pepperl-fuchs.com

PEPPERL+FUCHS

Technical Data

Supplementary information

EC-Type Examination Certificate, Statement of Conformity, Declaration of Conformity, Attestation of Conformity and instructions have to be observed where applicable. For information see www.pepperl-fuchs.com.

Release date: 2023-07-10 Date of issue: 2023-07-10 Filename: t25343_eng.pdf

Refer to "General Notes Relating to Pepperl+Fuchs Product Information".

Pepperl+Fuchs Group
www.pepperl-fuchs.com

USA: +1 330 486 0002
pa-info@us.pepperl-fuchs.com

Germany: +49 621 776 2222
pa-info@de.pepperl-fuchs.com

Singapore: +65 6779 9091
pa-info@sg.pepperl-fuchs.com

 **PEPPERL+FUCHS**

Type Code

	Proportional valve	F * * PV32 * -Ex
Operating voltage	230 V AC.....	U 6
	115 V AC.....	U 5
	24 V DC.....	U 2
Enclosure volume	< 300 ltr. (NW 4)	1
	> 300 ltr. (NW 6)	2*

* for use with orifice 18 mm

Release date: 2023-07-10 Date of issue: 2023-07-10 Filename: t25343_eng.pdf