



- Non-contact, absolute position encoder
- RS 485 interface
- Automatic detection of dirt accumulation

WCS3A-LS1**



Technical data

General specifications

Passage speed	v	≤ 12.5 m/s
Measuring range		max. 314.5 m
Resolution		± 0.4 mm (1,250 positions/m)

Indicators/operating means

Operating display		LED green: power on
Data flow display		LED yellow: data communication active
Velocity indication		LED yellow (only with Option S, speed output) off, if speed limit is exceeded (instead of data flow display)
Error display		LED red flashing: read head outside of code rail solid on: internal diagnostic test failed
Display		Display module, 6-digit (only with option D, display) adaptable to installation position

Electrical specifications

Operating voltage	U _B	24 V DC, ± 20 %
Power consumption	P ₀	2 VA with Option H, heating: 9 VA

Interface

Interface type		RS 485 interface
Data output code		binary code
Transfer rate		Baud rate 19.2 kBit/s ... 187.5 kBit/s (to be specified with order)
Termination		without RS 485 termination

Output

Output velocity		PNP, open collector, short-circuit protected low active (only with Option S, speed output)
Internal resistor	R _i	470 Ω
Switching voltage		24 V DC

Standard conformity

Electromagnetic compatibility		emitted interference to EN 50081-2 noise immunity to EN 50082-1 increased intensity level, evaluation criterion A
-------------------------------	--	---

Ambient conditions

Operating temperature		0 ... 60 °C (32 ... 140 °F) with Option H, heating: -40 ... 60 °C (-40 ... 140 °F)
Relative humidity		90 % , noncondensing

Mechanical specifications

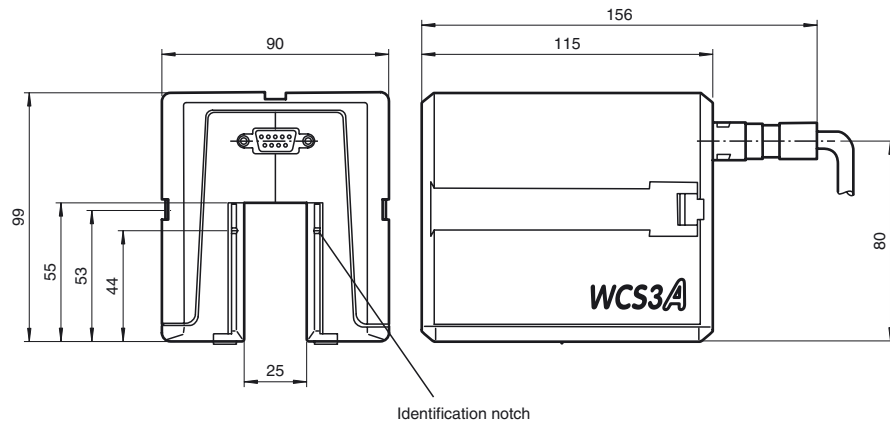
Connection type		9-pin Sub-D connector
Cable diameter		4.5 ... 7.5 mm
Protection degree		IP54
Material		
Housing		Polyamide (PA) , Polycarbonate , ABS
Mass		500 g

General information

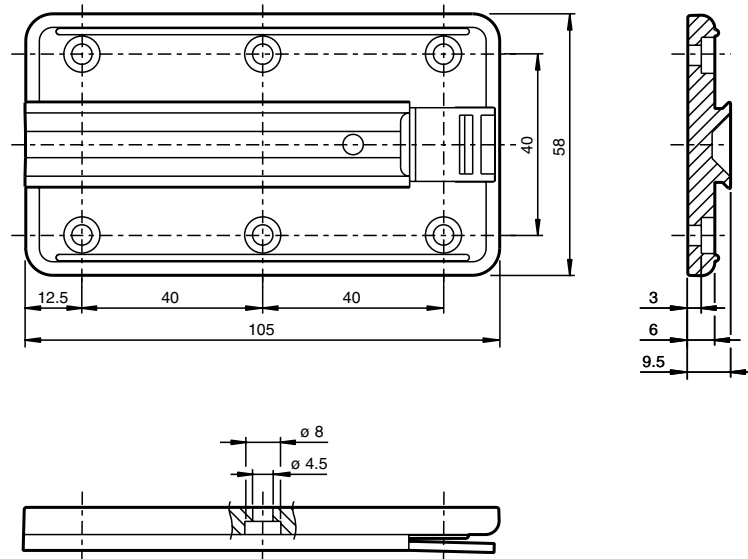
Ordering information		Mounting plate and SUB-D cable socket (IP65) included with delivery
----------------------	--	---



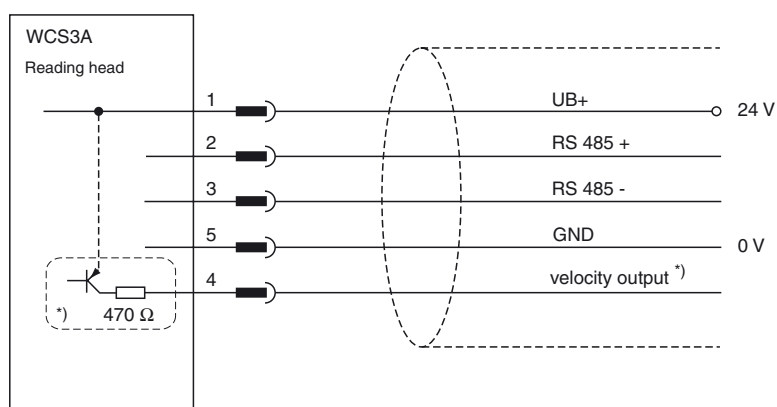
Dimensions



Mounting plate



Electrical connection



*) only with option S, velocity output