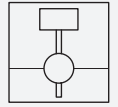




Magnetic Immersion Probe for Continuous Measurement



LMC-P

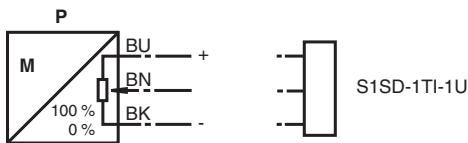
- Sensor for continuous level measurement in liquids
- Resolution 10 mm
- Media contacting parts of plastic
- Mounting without removing the float



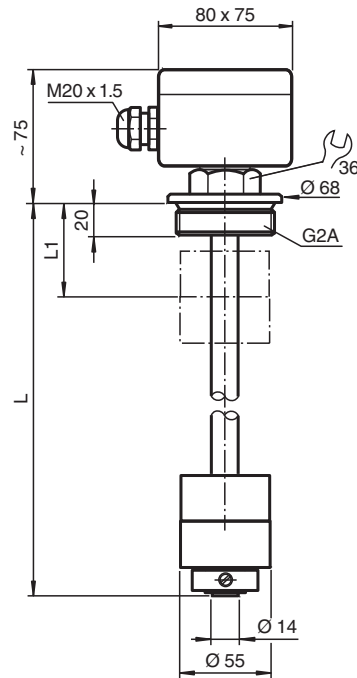
Function

The device is a sensor for continuous level measurement in liquids. A ring magnet integrated in the float activates a reed contact resistance chain inside the probe tube via its magnetic field. If the level changes, the resistance chain changes its total resistance by closing the contact at the float level. The resistance is converted into a standardised output signal by a control unit. This output signal is proportional to the level of the measured medium.

Connection



Dimensions



LMC10**-G6*-O4

Technical Data

General specifications	
Equipment architecture	A measuring system consists of a magnet-operated immersion probe LMC****-G6*-O4 and a signal converter S1SD-1TI-1U.
Series	LMC-P
Versions	LMC10P6-G6P-O4 LMC10D5-G6D-O4
Output	
Connection	3-wire, potentiometer connection approx. 40 kΩ
Directive conformity	
Electromagnetic compatibility	
Directive 2014/30/EU	EN 61326-1:2013 , EN 61326-2-3:2013
Conformity	
Degree of protection	IEC 60529:2000
Measurement accuracy	
Accuracy	resolution: 10 mm
Operating conditions	
Process conditions	
Process temperature	version PP: -10 ... 80 °C (14 ... 176 °F) version PVDF: -10 ... 100 °C (14 ... 212 °F)
Process pressure (static pressure)	≤ 3 bar (43.5 psi)
Density	≥ 0.8 g/cm ³
Ambient conditions	
Ambient temperature	-20 ... 70 °C (-4 ... 158 °F)
Mechanical specifications	
Degree of protection	IP66 / IP68
Connection	terminal box, 3 terminals , max. 2.5 mm ²
Material	float, guide tube, process connection: - version PP: PP (Polypropylene) - version PVDF: PVDF (Polyvinylidenfluoride) terminal box: Polyester

Release date: 2023-09-11 Date of issue: 2023-09-11 Filename: t29390_eng.pdf

Refer to "General Notes Relating to Pepperl+Fuchs Product Information".

 Pepperl+Fuchs Group
www.pepperl-fuchs.com

 USA: +1 330 486 0002
pa-info@us.pepperl-fuchs.com

 Germany: +49 621 776 2222
pa-info@de.pepperl-fuchs.com

 Singapore: +65 6779 9091
pa-info@sg.pepperl-fuchs.com

Technical Data

Dimensions	float: - version PP: cylinder Ø55 mm x 54 mm - version PVDF: cylinder Ø55 mm x 70 mm guide tube: Ø14 mm, max. length 3000 mm terminal box: 80 x 75 x 55 mm
Process connection	thread G2A to DIN/ISO 228/1
General information	
Supplementary information	Observe the certificates, declarations of conformity, instruction manuals, and manuals where applicable. For information see www.pepperl-fuchs.com .
Accessories	
Designation	- LML-FD5 float, cylinder, Ø55 mm x 70 mm, PVDF - LML-FP6 float, cylinder, Ø55 mm x 54 mm, PP

Type Code

This overview does not mark options which are mutually exclusive.

L	M	C	1	0	(1)	(2)	-	G	6	(3)	-	O	4	/	L
LMC	Device														
LMC	Magnetic immersion probe for continuous measurement														
10	Resolution														
10	10 mm														
(1)	Guide tube material														
D	Plastic PVDF														
P	Plastic PP														
(2)	Float														
5	Cylinder, Ø55 mm x 70 mm, plastic PVDF														
6	Cylinder, Ø55 mm x 54 mm, plastic PP														
G6	Process connection														
G6	Thread G2A, DIN/ISO 228/1														
(3)	Process connection material														
D	Plastic PVDF														
P	Plastic PP														
O4	Electrical output														
O4	3-wire, potentiometer connection approx. 40 kΩ														
L	Guide tube length														
Length	Specified length, max. 3000 mm														