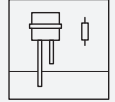




Multiple Rod Electrode HR-6*5***



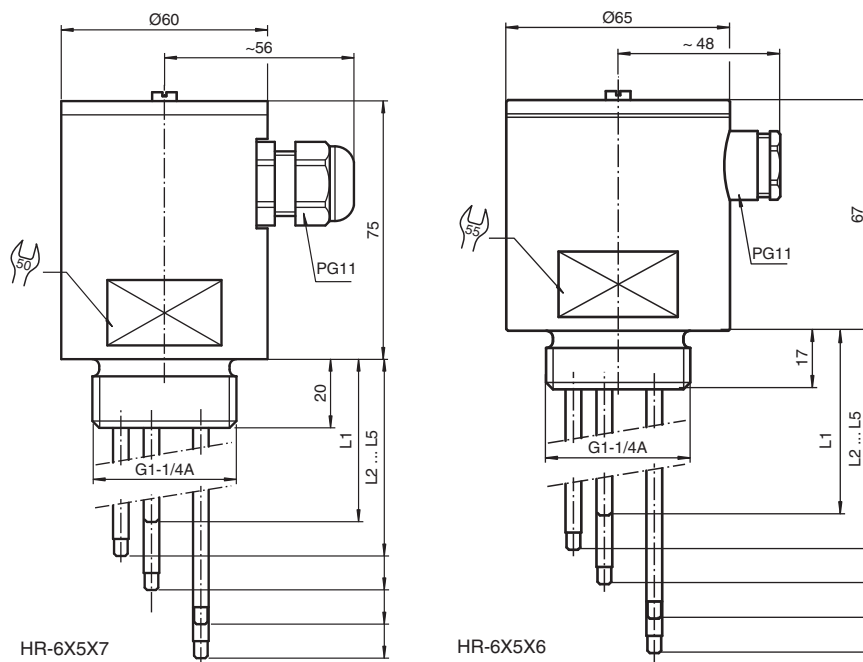
- Sensor for conductive limit value detection
- 1 to 5 electrode rods
- Electrodes Ø4 mm (0.16 inch) or Ø6 mm (0.24 inch)
- Different rod and thread materials



Function

An electrode relay provides the measuring AC voltage for the electrode.
If the product comes into contact with conductive batch, the measuring circuit between electrode and wall of vessel is closed and the electrode relay is switched.

Dimensions



Technical Data

General specifications	
Type	sensor for conductive limit value detection
Equipment architecture	A measuring system consists of a rod electrode HR-6*5*** with electrode relay KFA6-ER 1.6, KFD2-ER 1.6, KFD2-ER-Ex1.W.LB or KFA6-ER-Ex1.W.LB.
Series	HR-6*5***
Input	

Release date: 2023-09-11 Date of issue: 2023-09-11 Filename: t3024_eng.pdf

Refer to "General Notes Relating to Pepperl+Fuchs Product Information".

Pepperl+Fuchs Group
www.pepperl-fuchs.com

USA: +1 330 486 0002
pa-info@us.pepperl-fuchs.com

Germany: +49 621 776 2222
pa-info@de.pepperl-fuchs.com

Singapore: +65 6779 9091
pa-info@sg.pepperl-fuchs.com

PF PEPPERL+FUCHS

Technical Data

Measured variable	measuring voltage directly from the electrode relay		
Output			
Output signal	electrode relay creates switch signal corresponding to the selected responsiveness.		
Directive conformity			
Electromagnetic compatibility			
Directive 2014/30/EU	EN 61326-1:2006 , EN 61326-2-3:2006		
Conformity			
Degree of protection	IEC 60529:2001		
Operating conditions			
Process conditions			
Process temperature	process connection 6: ≤ 150 °C (423 K) process connection 7: ≤ 90 °C (363 K) process connection 8: ≤ 150 °C (423 K)		
Process pressure (static pressure)	process connection 6: ≤ 40 bar process connection 7: ≤ 10 bar process connection 8: ≤ 6 bar		
Mechanical specifications			
Degree of protection	IP65 with terminal box		
Connection	terminals in the terminal box: connection, max. 2.5 mm ²		
Material	housing: stainless steel 1.4571/316Ti, PP or PTFE process connection: stainless steel 1.4571/316Ti, PP or PTFE electrode rod: stainless steel 1.4571/316Ti, Hastelloy C, titanium or tantalum		
Dimensions	housing: max. Ø65 mm (2.6 inch), height max. 75 mm (3 inch) rods: length L1 ... L5 max. 3000 mm (10 foot)		
Process connection	thread G1-1/4A to DIN/ISO 228/1		
General information			
Supplementary information	Observe the certificates, declarations of conformity, instruction manuals, and manuals where applicable. For information see www.pepperl-fuchs.com .		
Accessories			
Designation	<ul style="list-style-type: none"> - spacer, PTFE for Ø4 mm (0.16 inch) rods - spacer with clamp screw, PTFE, for Ø4 mm (0.16 inch) rods - spacer with clamp screw, PTFE, for Ø6 mm (0.24 inch) rods - counter nut G1-1/4A made of PVC - counter nut G1-1/4A made of stainless steel - LZ-1201, mounting angle of stainless steel 1.4571/316Ti with drilling for G1/2A - LZ-1203, mounting angle of stainless steel 1.4571/316Ti with drilling for G1-1/4A 		

Type Code

This overview does not mark options which are mutually exclusive.

H	R	-	6	(1)	5	(2)	(3)	(4)	/	K	/	(5)
HR	Device											
HR	Limit switch											
6	Principle of measurement											
6	Conductive											
(1)	Electrode rod diameter											
0	Ø4 mm											
1	Ø6 mm											
5	Process connection											
5	Thread G1-1/4A, DIN/ISO 228/1											
(2)	Number of electrode rods											
1	1 rod											
2	2 rods											
3	3 rods											
4	4 rods											
5	5 rods											
(3)	Housing and process connection material											
6	Stainless steel 1.4571/316Ti											

Release date: 2023-09-11 Date of issue: 2023-09-11 Filename: t3024_eng.pdf

Refer to "General Notes Relating to Pepperl+Fuchs Product Information".

Pepperl+Fuchs Group
www.pepperl-fuchs.com

USA: +1 330 486 0002
pa-info@us.pepperl-fuchs.com

Germany: +49 621 776 2222
pa-info@de.pepperl-fuchs.com

Singapore: +65 6779 9091
pa-info@sg.pepperl-fuchs.com

 **PEPPERL+FUCHS**

Type Code

(3)	Housing and process connection material
7	Plastic PP
8	Plastic PTFE

(4)	Electrode rod material
1	Stainless steel 1.4571/316Ti, PTFE coated
4	Hastelloy C (only for Ø4 mm (0.16 inch)), PTFE coated
7	Titanium (only for Ø4 mm (0.16 inch)), PTFE coated
8	Tantalum (only for Ø4 mm (0.16 inch)), PTFE coated

K	Additional option
K	Sealing material Kalrez for every electrode rod

(5)	Electrode rod length
L1	Specified length rod 1, max. 3000 mm, can be cropped by the user if necessary
L2	Specified length rod 2, max. 3000 mm, can be cropped by the user if necessary
L3	Specified length rod 3, max. 3000 mm, can be cropped by the user if necessary
L4	Specified length rod 4, max. 3000 mm, can be cropped by the user if necessary
L5	Specified length rod 5, max. 3000 mm, can be cropped by the user if necessary