

Multifunction Terminal

MFT-*



- Suitable for fusing solenoids, alarm indicators, sounders etc, and diode decoupling of power supplies
- Simple OR gate for zone 1 mounting, visible separation for field devices, relay switches
- Bus termination
- Current limiting
- DIN rail mounting
- Maintenance without hot work permit
- Wires can be disconnected during operation once the module has been removed
(parts under voltage remain covered)

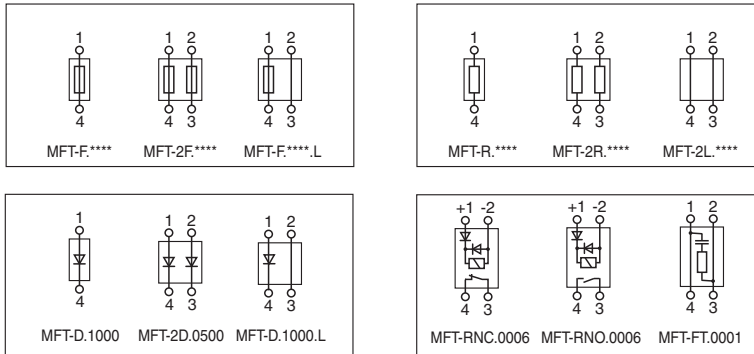
Multifunction terminal, allows maintenance work to be carried out in hazardous areas without a hot work permit



Function

The multifunction terminal allows maintenance without a hot work permit in a hazardous area. It employs a 2-step removal process, which guarantees that a potentially formed ignition spark remains inside the flameproof enclosure when lifting off a module and thus makes sure that the ignition spark has extinguished and the module is volt-free.

Connection



Technical Data

General specifications	
Function	The specific device function can be found in the ordering information section.
Electrical specifications	
Resistor	1 x 1 Ω ... 22 MΩ, 0.5 W 2 x 1 Ω ... 22 MΩ, 0.5 W
Diode	1 x I max. 1 A 2 x I max. 0.5 A
Fuse	0.032 ... 1.5 A 1.5 ... 6.3 A Pre-arcing time/current characteristic: time-lag T
Nominal voltage	max. 250 V AC max. 30 V DC
Relay	
Control	24 V , approx. 5 ... 8.5 mA

Release date: 2023-11-17 Date of issue: 2023-11-17 Filename: t40921_eng.pdf

Refer to "General Notes Relating to Pepperl+Fuchs Product Information".

Pepperl+Fuchs Group
www.pepperl-fuchs.com

USA: +1 330 486 0002
pa-info@us.pepperl-fuchs.com

Germany: +49 621 776 2222
pa-info@de.pepperl-fuchs.com

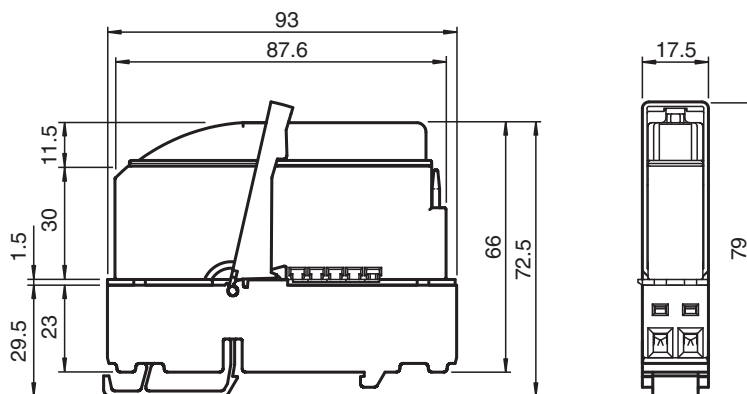
Singapore: +65 6779 9091
pa-info@sg.pepperl-fuchs.com

PEPPERL+FUCHS

Technical Data

Contact loading	AC max. 250 V , max. 1 A DC max. 30 V , max. 1 A
Contact resistance	0.1 Ω at 6 V, 1 A
Switching operations NO contact	3 x 10 ⁴
Switching operations NC contact	1 x 10 ⁴
Directive conformity	
Electromagnetic compatibility	
Directive 2014/30/EU	EN 61326-1:2013 (industrial locations)
Conformity	
Degree of protection	IEC 60529:2001
Ambient conditions	
Ambient temperature	-55 ... 55 °C (-67 ... 131 °F) ($I_m = 1.5 \dots 6.3$ A) -55 ... 70 °C (-67 ... 158 °F) ($I_m = 0.032 \dots 1.5$ A) The specific ambient temperature can be found in the ordering information section.
Mechanical specifications	
Core cross section	0.5 ... 2.5 mm ²
Degree of protection	IP20 , IP30 when plug-in module is plugged in
Mass	approx. 115 g , depending on model
Dimensions	93 x 17.5 x 79 mm (l x w x h)
Tightening torque	0.5 ... 1 Nm
Data for application in connection with hazardous areas	
EU-type examination certificate	PTB 07 ATEX 1004 U
Marking	Ⓜ II 2 G Ex d e IIC
Directive conformity	
Directive 2014/34/EU	EN IEC 60079-0:2018+AC:2020 , EN 60079-1:2014 , EN 60079-7:2015+A1:2018
International approvals	
IECEX approval	
IECEX certificate	IECEX BKI 08.0008U
IECEX marking	Ex d e IIC Gb
Marine approval	
DNV GL Marine	TAA0000034
General information	
Ordering information	Customer-specific values are available in the E96 series. Minimum order quantity 50 pieces.
Supplementary information	Observe the certificates, declarations of conformity, instruction manuals, and manuals where applicable. For information see www.pepperl-fuchs.com .

Dimensions



Release date: 2023-11-17 Date of issue: 2023-11-17 Filename: t40921_eng.pdf

Refer to "General Notes Relating to Pepperl+Fuchs Product Information".

Pepperl+Fuchs Group
www.pepperl-fuchs.com

USA: +1 330 486 0002
pa-info@us.pepperl-fuchs.com

Germany: +49 621 776 2222
pa-info@de.pepperl-fuchs.com

Singapore: +65 6779 9091
pa-info@sg.pepperl-fuchs.com

 PEPPERL+FUCHS

Product Versions

Function	Order code	Versions	Additional requirements	Ambient temperature	
				-55 ... +55 °C	-55 ... +70 °C
Multi function modules					
1 resistor		MFT-R.****	max. 0.5 W		X
2 identical resistors	MFT-2R.1000	MFT-2R.****		X	
Customer-specific resistors			Minimum order quantity 50 pieces		
1 diode	MFT-D.1000	MFT-D.****	Diode 230 V, 1 A	X	
1 diode + 1 jumper	MFT-D.1000.L	MFT-D.****.L	Diode 230 V, 1 A	X	
2 diodes	MFT-2D.0500	MFT-2D.****	Diodes 230 V, 0.5 A	X	
1 fuse	MFT-F.0315	MFT-F.****	max. 1.5 A		X
			> 1.5 A	X	
1 fuse + 1 jumper	MFT-F.1000.L	MFT-F.****.L	max. 1.5 A		X
			> 1.5 A	X	
2 identical fuses	MFT-2F.0500	MFT-2F.****	max. 2 x 3.15 A	X	
2 jumpers	MFT-2L.1600	MFT-2L.****			X
Bus terminator PA, FF	MFT-FT.0001				X
NO	MFT-RNO.0006		Relay 230 V, 1 A		-40 ... 70 °C
NC	MFT-RNC.0006		Relay 230 V, 1 A		-40 ... 70 °C
Sockets					
2-pole	MFT-BASE.2P				X
4-pole	MFT-BASE.4P				X

Note: sockets must be ordered separately.