



# Panel PC

## VisuNet EX2 GMP PC3719

- Panel PC
- Device installation in Zone 2 or Zone 22
- 19 inch monitor (48.3 cm)
- Network based data transfer via Ethernet
- Adapted for long distances between Panel PC and automation devices via LAN

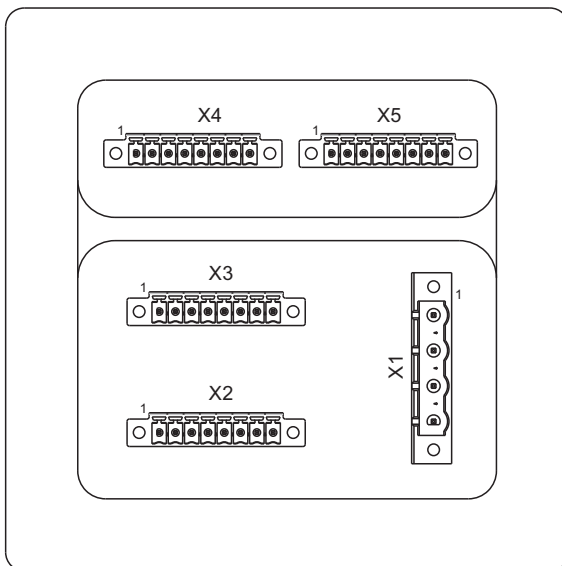
19 inch (48.3 cm) panel PC



### Function

VisuNet EX2 GMP devices are operator workstations for use in GMP conditions and come with a manufacturer's declaration of conformity to this effect. Typical applications are the pharmaceutical and food industries as well as the production of cosmetics, flavor, and nutrition. The operator workstations are available as remote monitors and as panel PCs. The panel PCs are especially suitable as stand-alone solutions or in conjunction with a PLC. Panel PCs come with all the functionality of PCs. The panel PCs run under Windows® 7 Ultimate FES or Windows® 10 IoT Enterprise LTSB. Software packages for control, visualization, and production can thus be easily installed.

### Connection



- X1 Power supply Ex ec
- X2 Ethernet Ex ec
- X3 Com 3 Ex ec; USB Ex ec
- X4 USB Ex ic (mouse/keyboard)
- X5 USB Ex ic;  
TTY (Powerscan PSCAN) optional

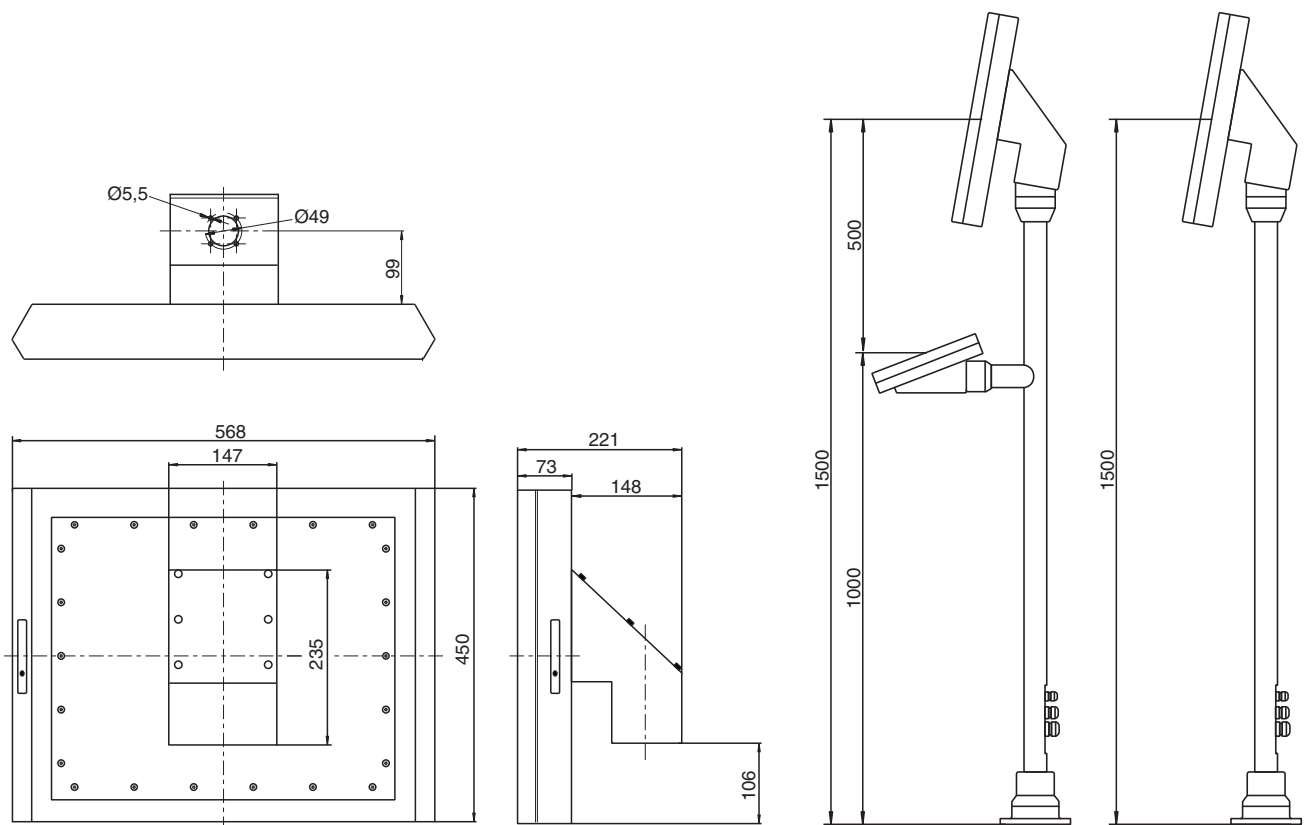
Devices of type VisuNet EX2 GMP always consist of 2 units:

1. VisuNet EX2 GMP basic unit (display)
2. EX2 mounting bracket

Only VisuNet EX2 GMP basic units (displays) with proper EX2 mounting bracket are allowed to be used in hazardous areas (zone 2/22).

Release date: 2021-11-09 Date of issue: 2021-11-09 Filename: t49254\_eng.pdf

## Dimensions



## Technical Data

### General specifications

Type	Panel PC
------	----------

### Hardware

Processor	1.46 GHz Intel® Atom™ E3826
RAM	Up to 8 GB RAM
Mass storage	120 GByte Solid State Drive

### Supply

Rated voltage	$U_r$	24 V DC
Input voltage range	$U$	20 ... 30 V DC (SELV)
Power consumption		max. 60 W

### Indicators/operating means

#### Display

Type	TFT, LCD
Screen diagonal	48.3 cm (19 inch)
Resolution	1280 x 1024 Pixel
Color depth	16.7 Mio. (24 bit, true color)
Contrast	1300:1
Brightness	300 cd/m <sup>2</sup> (nit)
Life span	50.000 h @ 25 °C
Input devices	Analog resistive touchscreen (optional), Keyboard with integrated mouse functionality: touchpad/joystick versions available

### Interface

Interface type	1 x Ethernet (Ex ec) , 3 x USB (Ex ic) , 1 x RS-485 (Ex ec) , 1 x USB (Ex ec) , 1 x TTY optional
----------------	--

### Directive conformity

## Technical Data

<b>Electromagnetic compatibility</b>	
Directive 2014/30/EU	EN 61326-1:2013
<b>Software</b>	
Operating system	Windows 7® Ultimate (32-bit or 64-bit) or Windows® 10 IoT Enterprise 2016 LTSC (x 64)
<b>Ambient conditions</b>	
Ambient temperature	0 ... 50 °C (32 ... 122 °F)
Storage temperature	-10 ... °C (14 ... °F) ... 60 °C ( ... 140 °F)
Relative humidity	max. 85 % non-condensing
<b>Mechanical specifications</b>	
Degree of protection	IP66
<b>Material</b>	
Surface	stainless steel 1.4301 / AISI 304
Surface quality	$R_a \leq 0.8 \mu\text{m}$
Mounting type	slim line housing several mounting options (pedestal turnable)
Mass	approx. 13 kg
Dimensions	568 mm x 450 mm x 73 mm
<b>Data for application in connection with hazardous areas</b>	
Certificate	PF 16 CERT B0F0X
Marking	Ⓜ II 3G Ex ic ec [ic] IIC T4 Gc Ⓜ II 3D Ex ic tc [ic] IIC T85°C Dc
<b>Directive conformity</b>	
Directive 2014/34/EU	EN 60079-0:2012/A11:2013 EN 60079-7:2015 EN 60079-11:2012 EN 60079-31:2009
<b>Power supply</b>	
Connection	X1: 1 ... 4
Rated voltage	24 V DC
Rated current	< 2.5 A
Maximum safe voltage $U_m$	60 V
<b>Interface type 1</b>	
Ethernet (Ex ec)	
Connection	X2: 1 ... 8
Rated voltage	30 V
Rated current	400 mA
Maximum safe voltage $U_m$	60 V
<b>Interface type 2</b>	
Serial interface RS-232 (Ex ec)	
Connection	X3: 1 ... 4
Rated voltage	±15 V
Rated current	200 mA
Maximum safe voltage $U_m$	60 V
<b>Interface type 3</b>	
USB (Ex ec)	
Connection	X3: 5 ... 8
Rated voltage	5 V
Rated current	< 500 mA
Maximum safe voltage $U_m$	60 V
<b>Interface type 4</b>	
USB (Ex ic)	
Connection	X4: 1 ... 4 X4: 5 ... 8
Voltage $U_o$	4.95 V
Current $I_o$	234 mA
Power $P_o$	570 mW
Characteristic curve	trapezoid

Release date: 2021-11-09 Date of issue: 2021-11-09 Filename: t49254\_eng.pdf

Refer to "General Notes Relating to Pepperl+Fuchs Product Information".

Pepperl+Fuchs Group  
www.pepperl-fuchs.com

USA: +1 330 486 0002  
pa-info@us.pepperl-fuchs.com

Germany: +49 621 776 2222  
pa-info@de.pepperl-fuchs.com

Singapore: +65 6779 9091  
pa-info@sg.pepperl-fuchs.com

 PEPPERL+FUCHS

## Technical Data

Internal resistor	41.6 $\Omega$
Lumped capacitances OR inductances	$C_o = 100 \mu\text{F}$ $L_o = 1 \text{ mH}$
Interface type 5	USB (Ex ic)
Connection	X5: 1 ... 4
Voltage $U_o$	4.95 V
Current $I_o$	472 mA
Power $P_o$	1582 mW
Characteristic curve	trapezoid
Internal resistor	33.2 $\Omega$
Lumped capacitances AND inductances	$C_o = 14 \mu\text{F}$ $L_o = 5 \mu\text{H}$
Lumped capacitances OR inductances	$C_o = 100 \mu\text{F}$ $L_o = 0.3 \text{ mH}$
Interface type 6	TTY (Ex ic)
Connection	X5: 5 ... 8
Voltage $U_o$	9 V
Current $I_o$	150 mA
Power $P_o$	1.4 W
Characteristic curve	rectangular
Lumped capacitances OR inductances	For gas group IIC: $C_o = 2.4 \mu\text{F}$ $L_o = 3 \text{ mH}$ For gas group IIB: $C_o = 42 \mu\text{F}$ $L_o = 10 \text{ mH}$

## Pedestals

Model Number	Description
PEDESTAL1-150-1P-KP-G-T-304	Pedestal incl. EX2 mounting bracket, turnable approx. 350°, monitor 10° tilted, with pipe for keyboard
PEDESTAL1-150-1P-NP-G-T-304	Pedestal incl. EX2 mounting bracket, turnable approx. 350°, monitor 10° tilted
PEDESTAL1-150-1P-KP-G-T-S3-304	Pedestal incl. EX2 mounting bracket, turnable approx. 350°, monitor 10° tilted, with pipe for keyboard with receptacle for barcode reader mounted
PEDESTAL1-150-1P-NP-G-T-S3-304	Pedestal incl. EX2 mounting bracket, turnable approx. 350°, monitor 10° tilted, with receptacle for barcode reader mounted

Release date: 2021-11-09 Date of issue: 2021-11-09 Filename: t49254\_eng.pdf

Refer to "General Notes Relating to Pepperl+Fuchs Product Information".

Pepperl+Fuchs Group  
www.pepperl-fuchs.com

USA: +1 330 486 0002  
pa-info@us.pepperl-fuchs.com

Germany: +49 621 776 2222  
pa-info@de.pepperl-fuchs.com

Singapore: +65 6779 9091  
pa-info@sg.pepperl-fuchs.com

 **PEPPERL+FUCHS**

**Type code VisuNet GMP EX2 PC37\***

Monitor Type	Screen Type	Protection	Board specification	Power supply	Housing frontplate version	Keyboard housing	Keyboard Mouse version	Keyboard Layout	Accessories	Options
Monitor Type, Display size										
PC3719	Panel-PC 19"									
PC3721	Panel-PC 21.5"									
PC3722	Panel-PC 22"									
Screen Type										
E	Antiglare glass front									
T	Touch screen resistive									
A	Anti-reflex lambda/4 glass									
Protection										
A1	ATEX II 3G Ex nA nR [ic] IIC T4 Gc, II 3D Ex tc [ic] IIIB T85°C Dc IP54									
Board Specification										
PF	Intel Atom E3826 1.46 GHz, 4GB RAM, 120GB SSD, Windows 7 Ultimate (32-bit)									
PG	Intel Atom E3826 1.46 GHz, 8GB RAM, 120GB SSD, Windows 7 Ultimate (64-bit)									
PI	Intel Atom E3826 1.46 GHz, 8GB RAM, 120GB SSD, Windows 10 IoT Enterprise 2016 LTSB (64-bit)									
Power supply										
D	24 V DC									
C										
Housing frontplate version										
SL2N	Slim-Line stainless steel housing									
Keyboard housing										
N	no keyboard & mouse housing									
R	Keyboard & mouse housing, stainless steel									
C	Keyboard & mouse housing, tiltable 90° -180°, stainless steel									
Keyboard / Mouse version										
K0	No keyboard									
K3	Foil keyboard with mechanical trackball									
K4	Foil keyboard with touchpad									
K6	Foil keyboard with joystick									
Keyboard Layout										
L0	No keyboard									
DE	Keyboard Layout German									
US	Keyboard Layout US-international									
FR	Keyboard Layout French									
XX	More Keyboard layouts by request									
Special accessories										
S0	no special accessories									
S3	Wired handheld barcode reader									
A3	Wireless handheld barcode reader									
Options										
N	No options									

Release date: 2021-11-09 Date of issue: 2021-11-09 Filename: t49254\_eng.pdf